



We Bring the LEGO Brick Party to YOU!

Reindeer!



Step 1/5



x4

4073: Plate, Round...

■ Black



x4

4589b: Cone 1 x 1...

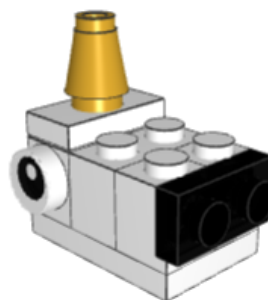
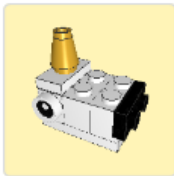
□ White



x4

3062b: Brick, Rou...

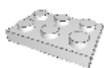
□ White



Use **RED** nose for Rudolph!



Step 2/5



x1

3021: Plate 2...

□ White



x2

4070: Brick,...

□ White



x2

87087: Brick,...

□ White



x1

3004: Brick 1...

□ White



x1

3023: Plate 1...



x2

98138pb007:...

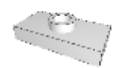
□ White



x1

4589b: Cone...

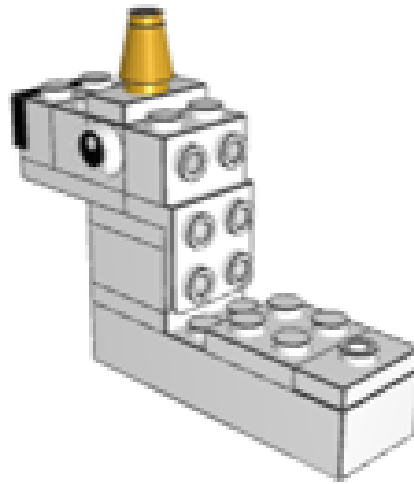
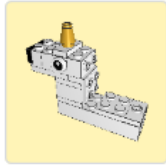
■ Pearl Gold



x2

15573: Plate,...

□ White



Step 3/5

- | | | | | | |
|--------------------------------|--------------------------------|--------------------------------|--------------------------------|--------------------------------|--------------------------------|
| | | | | | |
| x1 | x3 | x1 | x1 | x1 | x1 |
| 2456: Brick 2 x 6 | 3022: Plate 2 x 2 | 3003: Brick 2 x 2 | 44728: Bracket 1... | 11211: Brick, Modi... | 15573: Plate, Mo... |
| <input type="checkbox"/> White | <input type="checkbox"/> White | <input type="checkbox"/> White | <input type="checkbox"/> White | <input type="checkbox"/> White | <input type="checkbox"/> White |

Unicorn



Step 4/5

- | |
|---------------|
| |
| Submodel |
| x4 |
| leg: Submodel |

- | | | | | |
|-------------------|-------------------|-------------------|-------------------|-------------------|
| | | | | |
| x1 | x2 | x2 | x2 | x2 |
| 3023: Plate 1 x 2 | 54200: Slope 3... | 54200: Slope 3... | 54200: Slope 3... | 54200: Slope 3... |